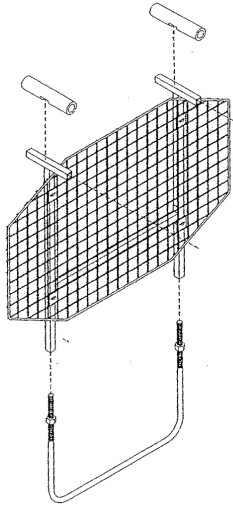


# Cargo Barrier Assembly Instructions

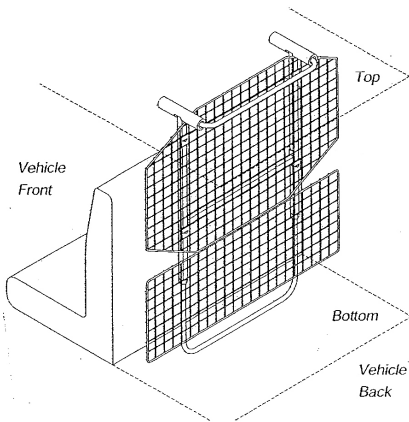
---



## Assembly Instructions

1. Thread the 2 large nuts on to the threaded ends of the base hoop. Slide the threaded ends of the base support hoop into the uprights attached to the screen.
2. Tighten the 4 bolts on the screen.
3. Place the top support with the foam pads or you may place 2 of the Velcro strips on the top supports in the top of the uprights.

## Final Assembly Location



1. Place the barrier on the back of the second row of seats when folded flat, or behind the second row of seats.
2. Tighten the 2 nuts, with the wrench provided, until the barrier will no longer move.
3. Tighten the set screws on each of the nuts with the included Allen key.
4. The lower screen shown is not required for this vehicle.

*Note: Do not worry about over tightening nuts, it will not damage the unit. This Barrier does not require the lower screen.*

## Maintenance Procedure

It is recommended that if the barrier is not removed on a regular basis that you periodically check to ensure it is supported with the proper amount of pressure. Please follow the steps below.

1. Securely grip the barrier and give it a firm shake. If the barrier has any movement see step 2.
2. Using the wrench provided with your barrier, tighten the 2 base nuts until the barrier no longer has any movement. Then tighten the Set Screws on each nut with the Allen key provided.

**IMC-Inc.** P.O. Box 455, Campbellville, Ontario, Canada L0P 1B0

Telephone: 905-854-2098 Fax: 905-854-2097 E-mail: [info@imc-inc.biz](mailto:info@imc-inc.biz)